

# Stellar



Introducing the Stellar LED Pendant

A magnificent new lamp in natural wood veneer and polycarbonate. Shown in Black Ash veneer.

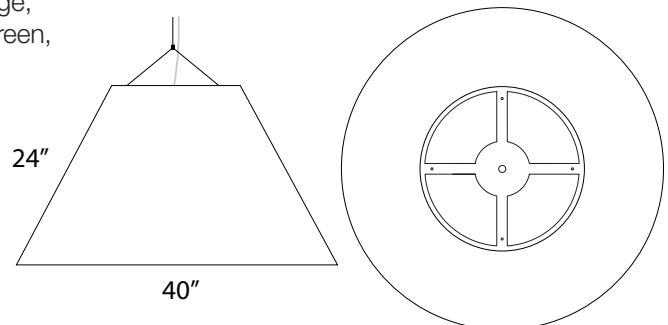
Dimensions: 40 x 24" Weight: 30 lbs.

Available in Birch, Bamboo, Maple, Cherry, Zebrawood, Wengé, Lime, Lemon, Mandarin, Vermillion, White Ash, Blue, Grey, Green, Black Ash, Douglas Fir, Zebrano, White Linen.

- 35 Watt Dimmable Integrated LED

LED Specifications:

Voltage	Wattage	Lumens	CCT	CRI	Lifetime
120/277	35	4000	2700k	80	60,000 hrs



Adjustable cable suspension system for drop of 12-120"  
 Made in USA UL Listed